

## FOR ABOVEGROUND POOLS

If it doesn't have a continuous barrier then it's not an EZ Drain!

# PRE INSTALLATION CHECK LIST

- Confirm that your pool is compatible with the EZ Drain™ Winter Cover System (See next page)

### ITEMS REQUIRED

### WHERE IT IS PACKED?

- |  |  |
|--|--|
| <input type="checkbox"/> EZ-Drain™ Cover and Cable | In the cover box                           |
| <input type="checkbox"/> Cable Fastener            | In the cover box                           |
| <input type="checkbox"/> Cover Connection Kit      | In the cover box                           |
| <input type="checkbox"/> Tension Clips             | In the cover box                           |
| <input type="checkbox"/> Drain Hose                | In the cover box                           |
| <input type="checkbox"/> Skimmer Winterizing Plate | <b><u>This item is Sold separately</u></b> |

If you have everything listed above you are ready to install your EZ Drain™ Winter Cover.

# WILL AN EZ DRAIN™ COVER WORK ON YOUR POOL?

1

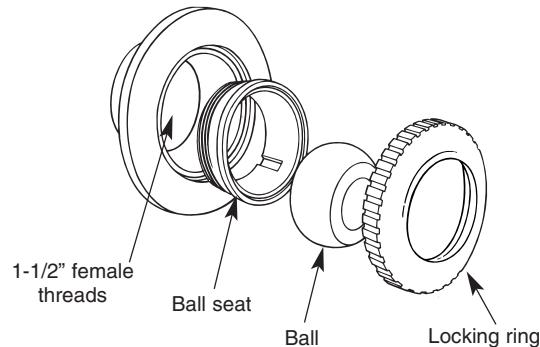
- Please note that the **EZ Drain™ Cover** will not work on pools equipped with non-standard returns such as Doughboy, Lomart, Muskin and pools with Aqualuminator lighting systems
- In order for your **EZ Drain™ Cover** to work correctly you must maintain normal water height in your pool during the winter.
- To avoid damaging your thru wall skimmer you must protect it with a **Skimmer Winterizing Plate**. (This item is sold separately)

2

**How to check if your thru wall return fitting is compatible with the EZ Drain™ Winter Cover System**

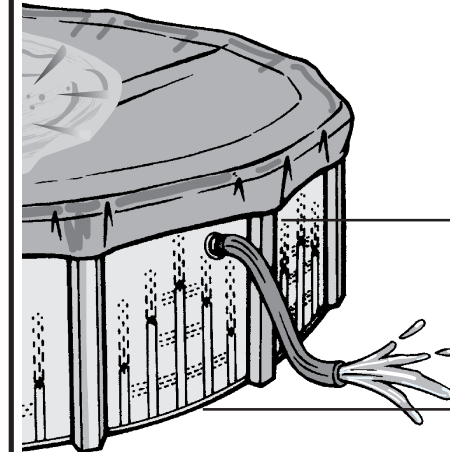


Remove Directional return from Thru Wall Fitting. You should have 1-1/2" Female Threads.



3

**Check the height of your Return Fitting**



Minimum  
24"  
Above the  
Ground

**EZ DRAIN™** Auto Draining Winter Cover

**FOR ABOVEGROUND POOLS**

**If it doesn't have a continuous barrier then it's not an EZ Drain!**

# EZ DRAIN™ WINTER COVER SYSTEM INSTALLATION INSTRUCTIONS

## 1

### Water Preparation

- a. Thoroughly clean and vacuum pool prior to adding Winterizing Chemicals.
  - b. Adjust pH to 7.2-7.4
  - c. Add only winter grade chemicals.  
Never use chlorine-based chemicals when winterizing.  
Chlorine vapors will damage your cover.
- See your dealer for recommended Winterizing Chemicals.

## 2

### Skimmer Preparation

- a. Winterize your Thru Wall Skimmer opening with the correct size Skimmer Winterizing Plate.
  - b. Make sure water level in pool is as high as possible but does not exceed the top of the skimmer
- See your dealer for recommended Skimmer Winterizing Plate.

## 3

### Converting your return fitting to a drain port.

Remove directional return from pool wall. Your directional return consists of 3 components: (1) Locking Ring; (2) Ball; (3) Ball seat

- a. Remove locking ring
- b. Remove eyeball
- c. Insert seat removal tool into ball seat

Turn counter clockwise until ball seat is completely removed

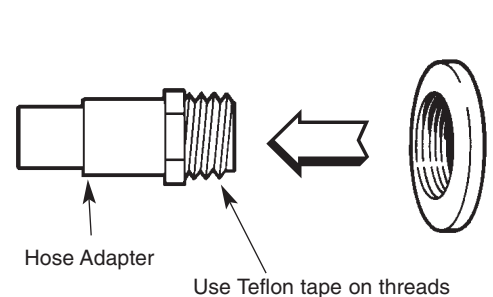
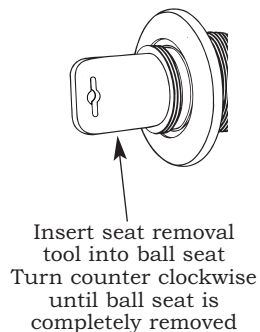
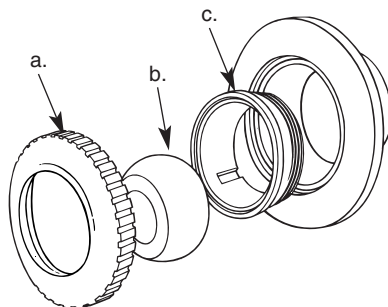
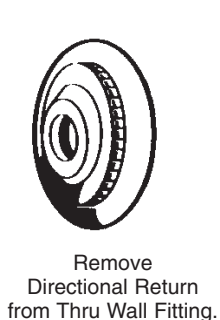
After directional return has been removed, you should have a 1-1/2" opening with female threads exposed.

Prepare your hose adapter fitting by putting Teflon Tape around the threads. Then screw fitting into opening in wall. **HAND TIGHTEN ONLY.**

Directional Return

Using seat removal tool

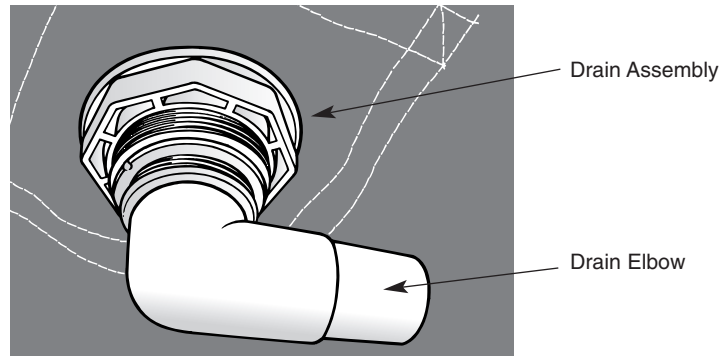
Insert Hose adapter fitting



**4**

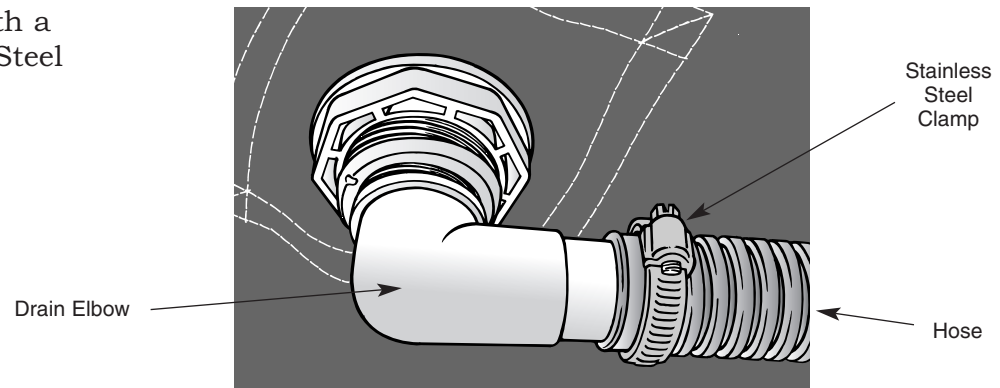
## Install the drain elbow in base of the drain assembly

Located under your EZ Drain™ Cover.  
Use Teflon tape on threads.  
Hand tighten only.

**5**

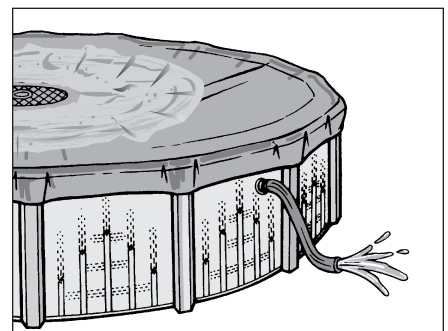
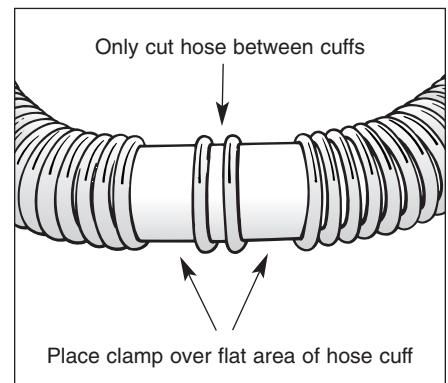
## Connect one end of the drain hose to Drain elbow you just installed.

Secure with a Stainless Steel Clamp.

**6**

## Installing cover on pool

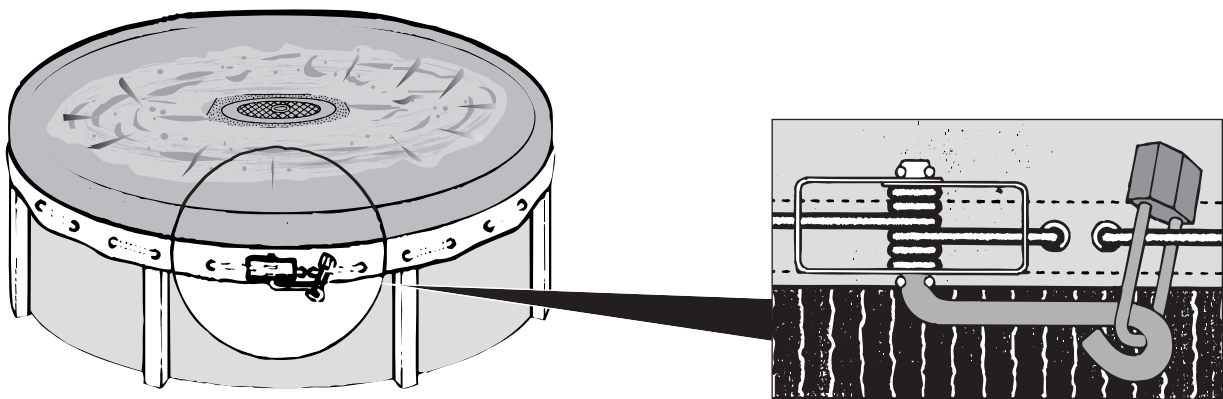
- a. Unpack cover and fold in half.
- b. Place cover over half of pool with drain assembly and hose in center.
- c. Use cover tension clips to hold cover in place temporarily.
- d. Cut hose between cuffs to correct length. Hose should be as straight as possible but not taut.
- e. Attach hose to hose adapter in wall.
- f. Secure with a Stainless Steel clamp.
- g. Fold cover over to cover entire pool. Use cover tension clips to hold cover in place temporarily.
- h. Weave cable through grommets around perimeter of cover. Exposed cable should be over the larger distance between grommets.
- i. Attach a hose (not supplied) to hose fitting on outside of pool to drain water away from pool site.



# 7

## Secure cable using the Crank and Lock supplied with your cover

- a. Place Cable (supplied with Pool Cover) through grommets in pool cover.
- b. Your Crank'n Lock is used to tighten cable and cover around outside of pool, as shown below.
- c. Place one end of cable, now threaded in cover, through hole on left side of Crank'n Lock winch outer frame, and other end of cable through hole on right side of winch frame.
- d. Pass left cable through top hole in center shaft and right cable through bottom hole in center shaft. Pull tight to remove slack.
- e. Slowly turn handle on winch to wrap cable around center shaft until cable is tight. DO NOT OVER TIGHTEN! Once cable is tight, place lock through handle and cable shown below and secure.



# 8

## Basic Winter Maintenance

- a. Your new EZ Drain™ winter cover system is designed to reduce maintenance during the winter by automatically removing excess water. Your cover's continuous barrier will maintain enough water on top of the cover to protect it from wind damage. To ensure that the cover's drain system will work correctly, you will need to periodically check the following:
  - The height of the water in your pool (adjust if necessary)
  - Accumulation of debris on or around drain (Debris can easily be removed with a Swimming Pool Leaf Rake)
  - Tension clips (adjust if necessary so that water flows towards drain)
  - Cable and fastener (inspect and adjust if necessary)
- b. Please note that your new EZ Drain™ cover system cannot drain if the pool is frozen. However, as soon as the weather is warm enough to melt the ice, the drain will automatically start working again.

### WARNING:

Many Pools have sharp corners where segments of components join. Pad these sharp edges with any soft material such as burlap, corrugated chipboard, foam rubber, etc. to avoid wear and cutting of the cover. Failure to do this voids your warranty. This warranty specifically does not cover damage to the pool cover due to wear caused by sharp instruments or abrasion.